

HM11



- Alloy steel, nickel-plated, single point bending beam, hermetically welded, tension or compression.
- Ingress protection (according to EN 60529): IP68
- Suitable for belt scales, hopper scales and other electronic weighing devices.



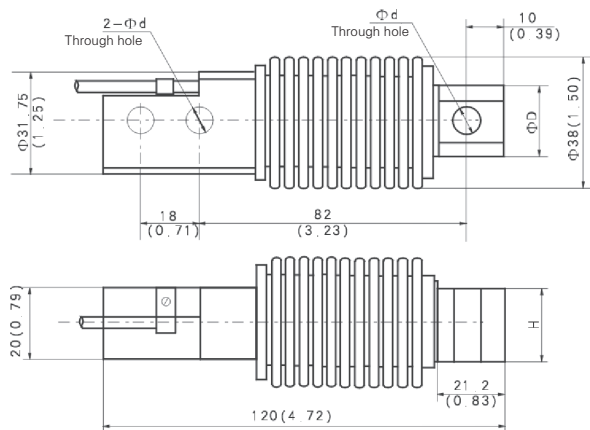
Available models

Capacity	Accuracy	Full article description
xxkg	C3	HM11-C3-xxkg-3B
xxkg	C3	HM11-C3-xxkg-6B6

Specification

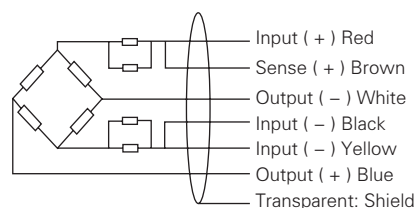
Maximum capacity (E_{max})	kg	5/10/20/30/50/75/100/150/200/250/300/350/400/500
Accuracy class		C3
Maximum number of verification intervals	N.max	3000
Maximum number of load cell intervals (nLC)	V_{min}	$E_{max}/10000$
Combined error	%FS	± 0.020
Creep	%FS/30min	± 0.016
Temperature effect on sensitivity	%FS/10°C	± 0.011
Temperature effect on zero	%FS/10°C	± 0.015
Output sensitivity (= FS)	mV/V	2.0 ± 0.02
Input resistance	Ω	460 ± 50
Output resistance	Ω	350 ± 3.5
Insulation resistance	M Ω	$\geq 5000(50VDC)$
Zero balance	%FS	± 1.0
Compensated temperature	°C	-10~+40
Operating temperature	°C	-35~+65
Excitation, recommended voltage	V	5~12(DC)
Excitation maximum	V	18(DC)
Safe overload	of E_{max}	150
Ultimate overload	of E_{max}	300
ATEX Class(Optional)		II1G Ex ia IIC T4 II1D Ex iaD20 T73°C II3G Ex nL II C T4

Dimensions in mm



Dimension	Capacity (kg)	5,10,20,30,50,75 100,150,200,250	300,350, 400,500
d		8.2(0.32)	10.3(0.41)
D		23(0.91)	24(0.94)
H		20(0.79)	19(0.75)

Wiring



- Both 4 and 6 conductor wires are available on customer's requirements.
- Cable diameter: $\Phi 5 \pm 0.2mm$
- Standard length for 4 conductor cable: 3m
- Standard length for 6 conductor cable: 6m
- Note: Connection of 6 conductor wires are as above. For 4 conductor wires the yellow and blue sense wires are removed.